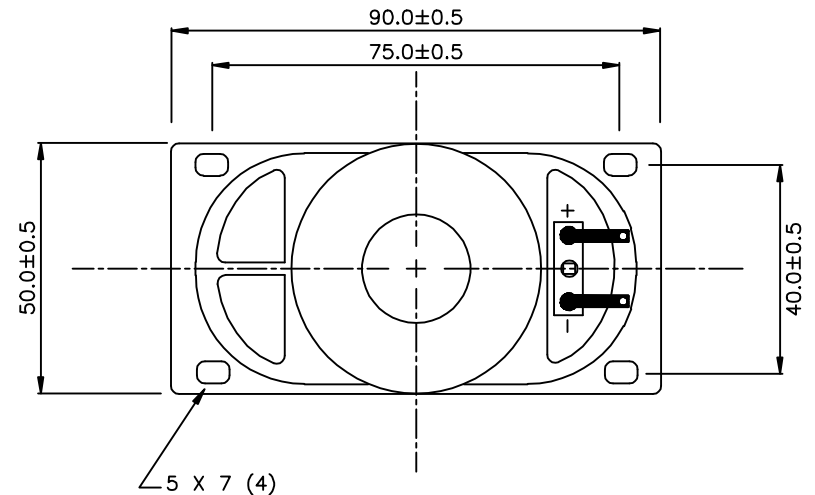
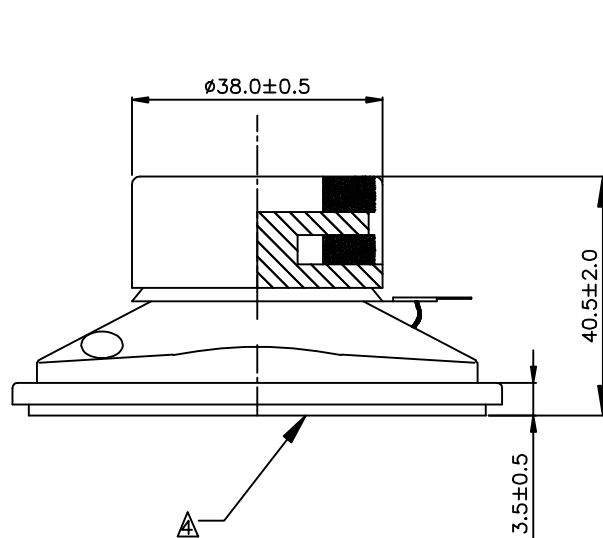


THIS DOCUMENT CONTAINS DATA PROPRIETARY TO PROJECTS UNLIMITED, INC. ANY USE OR REPRODUCTION, IN ANY FORM, WITHOUT PRIOR WRITTEN PERMISSION OF PROJECTS UNLIMITED, INC. IS PROHIBITED.
 ©2003, Projects Unlimited Inc.

SPECIFICATIONS

PARAMETERS	VALUES	UNITS
RATED INPUT POWER	5	W
MAX INPUT POWER	8	W
IMPEDANCE	8±15%	OHM
OUTPUT SPL @ 1W/0.5M (AT 0.6, 0.8, 1.0, 1.2 kHz)	86±3	dBA
DISTORTION	5%	-
RESONANT FREQUENCY	240±20%	Hz
FREQUENCY RANGE	240 ~ 18,000	Hz
HOUSING MATERIAL	METAL	-
CONE MATERIAL	TREATED PAPER	-
MAGNET MATERIAL	FERRITE	-
OPERATING TEMPERATURE	-20 ~ +55	°C
WEIGHT	128.44	grams


REVISIONS			
LTR	DESCRIPTION	DATE	APPROVED
-	RELEASED FROM ENGINEERING	8/25/05	
A	REVISED MAGNET DIMENSION	12/19/07	R.W.



NOTES:

- ALL DIMENSIONS ARE IN MILLIMETERS.
- SPECIFICATION SUBJECT TO CHANGE OR WITHDRAWAL WITHOUT NOTICE.
- THIS PART IS RoHS 2002/95/EC COMPLIANT.
- CONE HAS BEEN TREATED FOR WATER RESISTANCE.

FILE NAME
AS09008PO-2-WR-R.DWG

UNLESS OTHERWISE SPECIFIED: DIMENSIONS ARE IN MILLIMETERS, TOLERANCES ARE ±0.5 AND ANGLES ARE ±3°.		 projects® unlimited Dayton, Ohio	
APPROVALS DRAWN <i>J.A.F.</i> 8/05 APPROVED <i>B.R.</i> 8/05 <i>E.P.</i> 8/05		DYNAMIC SPEAKER AS09008PO-2-WR-R DRAWING NO. AS09008PO-2-WR-R	
DO NOT SCALE DRAWING		SIZE A	SCALE: N.T.S.
		SHEET 1 OF 1	